

*Niveeta*

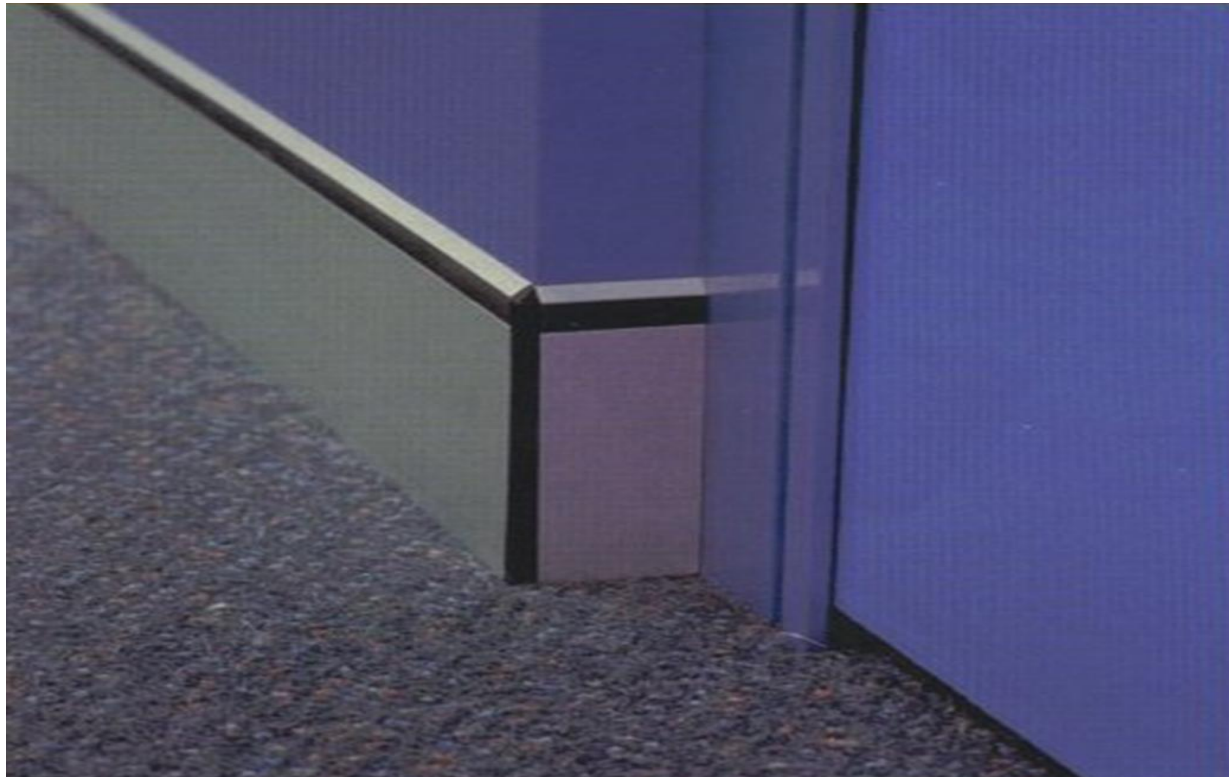
Aluminium Skirting

**ALUMINIUM  
SKIRTINGS**

# Niveeta

Aluminium Skirting

Innovative and versatile design  
bringing a new approach to  
creative look to your office block



**New Collection**

Follow us on our journey and explore a new approach to modular furniture and discover furniture like never before.

*For more information on our products and specifications, site pictures, please visit our website*

*[www.niveeta.com](http://www.niveeta.com)*

Thank you and we hope you will enjoy your visit.

Modular Workstations

Desking System

Office Furniture

Toilet Partitions

Aluminium Skirting

Auditorium Chairs

Office Chairs



Aluminium Skirting products contain a number of features which can make an Installer's job much easier - and, therefore, more profitable.

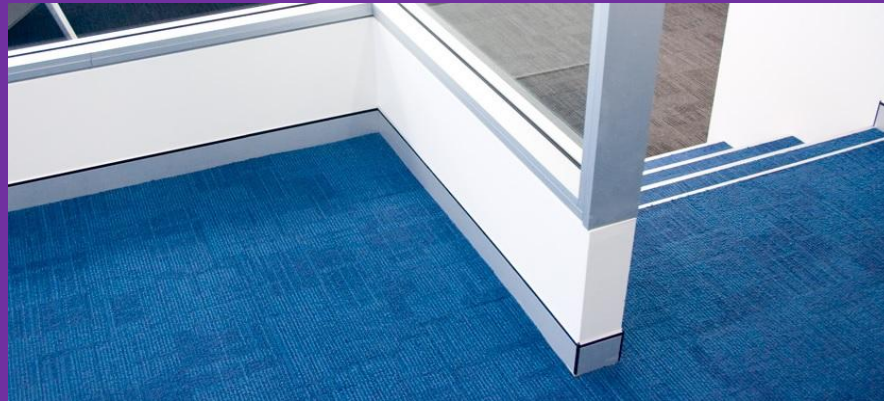
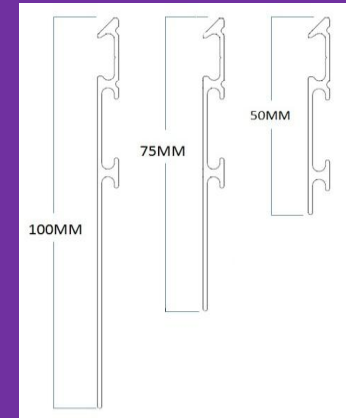
Range Available 50mm / 75mm/ 100mm wide.

No clamp marks, mean that the full length of the product is available for use rather than having to cut off unsightly clamp marks.

Finishes include mill finish, anodized and powder coated which means that you will be able to suit any number of colour schemes.

The grey or black rubber inserts and corner stakes allow you to further customize the look of the finished product.

## Aluminium Skirting





## Aluminium Skirting

**50MM / 75MM / 100MM Aluminium Skirting**

**Easy to Install and Reinstall**

**Clean Finish on Carpet, Tiles etc..**

**Water Proof, Zero Maintenance**

**Various Color Options in Anodizing and**

**Powder Coating**

**Various Shade Options in WOOD FINISH**

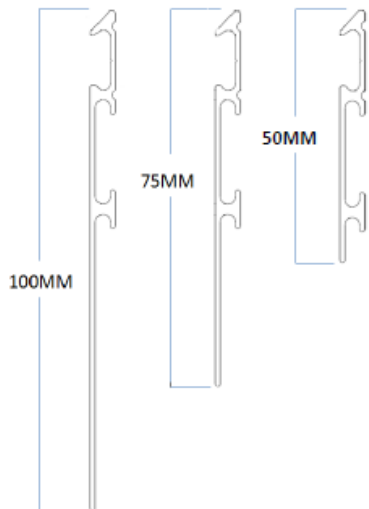
# Aluminium Skirting



The Edge is a Anodized Aluminium skirting profile which gives a recessed look due to its slim design.

The capped toe design of the profile covers wall to floor expansion gaps making it an ideal profile for tiled or wooden floor coverings. The profiles are installed using normal Screws making the installation fast and easy on any surface including Brick wall, plywood and gypsum partitions. Matching inner, outer corner and end cap complete the range.

Height : 50mm / 75mm / 100mm



# Aluminium Skirting

Creavita always provides a free measure and quote service on site, answering any questions or enquiries you may have.

### **1. Does Creavita install or just supply the skirting? If so how much would it be?**

Not only do we supply the aluminium skirting we also do installations, the cost depends on how big the job is and the price can vary depending on certain designs, colours etc. You can get the skirting delivered or you can now pick it up with our new warehouse in the south side.

### **2. Is aluminium skirting cheaper than timber skirting?**

People have a misconception about the actual price of aluminium skirting. In reality it is just as cheap if not cheaper than timber skirting, so you don't have to pay too much for that expensive look.

### **3. Whats the benefits of aluminium skirting?**

Aluminium skirting is very durable and takes a lot of punishment before any damage is done and also is waterproof for any wet areas that need skirting. Not only is aluminium skirting a key feature point throughout your house it's also a neutral colour, which can go with any wall colour it's applied to. If you are interested in making your home more vibrant, Creavita also supplies many colours to create your very own colour pattern through your home or in a feature room. We also supply the rubbers and corners in a variety of colours to give a subtle statement

- Durable, Waterproof, Feature effect, Colour Variety

### **4. How long is delivery?**

Generally it takes 10 working days depending on the skirting size and design if it's in stock, if the product needs to be especially ordered. Creavita will work out a delivery term with the customer when purchasing the skirting.

### **5. How do you apply the skirting?**

The base is a screw covered with a rubber insert to cover the screws.

# Aluminium Skirting



# Clients



All trademarks and registered trademarks are the property of their respective owners.



*Niveeta*

**Modular Furniture**

Special declaration: the copy rights of all products and pictures carried by the said book are reserved by Creavita Modular Systems Pvt. Ltd. : any company or individual who copies. Plagiarizes the group will be charged with the legal responsibilities

## **CREAVITA MODULAR SYSTEMS PVT. LTD.**

C-48, DDA Sheds Okhla Industrial Area, Phase-I,  
New Delhi 110 020 (India)

TEL: +91-11- 40571997 , 26385525

FAX : +91-11-26385525

Mobile : +91 9911 22 7763-64

[www.niveeta.com](http://www.niveeta.com) & [www.creavita.in](http://www.creavita.in)

EMAIL : [niveeta@creavita.in](mailto:niveeta@creavita.in) [nmodular@gmail.com](mailto:nmodular@gmail.com)